

# Permanent Lifting Magnets

***NEW...Only from Eriez.***

## *SafeHold® RPL Series*

*Lift, move or position round or flat materials in less time, efficiently and economically. SafeHold Lifting Magnets make quick work of difficult, time-consuming steel handling.*

The new RPL Series of permanent lifting magnets offers the user the ability to lift flat as well as round materials with the same magnet. Specially designed poles on this new series of magnets allow the user to lift round materials up to 2,200 pounds.

Eriez' new SafeHold® RPL Series permanent lifting magnets require no power supply, thus eliminating hazards due to failure of wiring systems or service interruptions.

The small, light-weight magnet features a powerful magnetic force.

RPL Series magnets can lift and transfer steel and iron without slings, hooks or cables. They require fewer operators and helpers, and when properly installed and operated, provide greater safety than other mechanical material handling devices.

Operation is easy. An internal on/off changeover mechanism eliminates possible scratches on the work surface when loading/unloading.

You can combine several SafeHold RPL lift magnets to conform to the specific shape and weight of complex work pieces.



### **FEATURES**

SafeHold RPL Series permanent magnets turn on and off manually to provide smooth operation for hundreds of lifting and positioning applications.

- Two-pole design
- Ability to handle round and flat material
- No electricity needed, so power failures don't interrupt operation
- Continuous rare-earth magnet power until magnet is turned off
- No costly D.C. power supply
- No batteries to recharge or replace

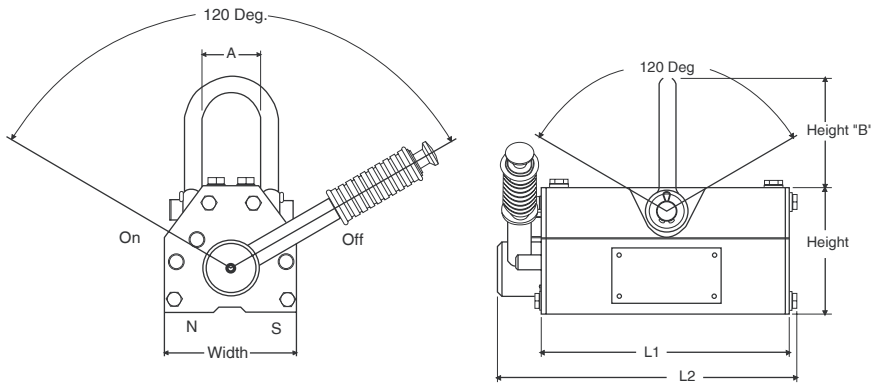


## SAFEHOLD LIFTING MAGNETS AT WORK

RPL Series of SafeHold Magnets is ideal for many machine shop operations, including the loading and unloading of this burn table.



Eriez' RPL Series SafeHold makes easy work of this round bar stock. It handles flat sheet and plate steel with equal ease.



## ERIEZ TECHNICAL CENTER



Eriez' products represent quality, durability, and a long-standing commitment to leadership in technology. A major expression of that commitment is the Eriez Technical Center, industry's most complete magnetic and vibratory testing facility.

Located in Erie, Pennsylvania, adjacent to Eriez' world headquarters, the Technical Center is equipped with more than 100 types of permanent magnetic, electromagnetic, vibratory, screening, electronic metal detection equipment and eddy current separators.

This equipment is used to separate, purify, concentrate, move, feed, and recover a variety of materials. Testing services range from feasibility studies to complete flow-sheet development.

## SPECIFICATIONS

RPL Series Model Number	Lifting Capacities				Maximum Round Lifting Diameter w/o Pole Shoes		Dimensions													
	Flat Steel (2:1 SF)		Round Steel (4:1 SF)				L1		L2		Width		Height		Weight		Height B		A	
	lbs	kg	lbs	kg	in	mm	in	mm	in	mm	in	mm	in	mm	lbs	kg	in	mm	in	mm
RPL-3	300	135	150	68	3	76	3-9/16	90	4-3/4	121	2-1/2	64	2-5/8	67	7	3	2-3/16	55	1-1/4	32
RPL-11	1,100	500	550	250	5	127	6-3/8	162	8-1/16	204	3-5/8	92	3-9/16	90	21	9.5	2-11/16	68	1-3/4	44
RPL-22	2,200	1,000	1,100	500	7	178	9-1/8	232	11	279	4-13/16	122	4-5/8	117	48	22	4	102	2-1/8	54
RPL-44	4,400	2,000	1,850	840	10	254	10-3/16	259	12-3/8	314	6-15/16	176	6-7/16	164	132	60	5-1/4	133	3-5/8	92

### NOTE:

- These are actual ratings on flat, clean, polished steel plate.
- Maximum attractive force of each model is approximately twice the Lifting Capacity.
- Thin sheets, rough and irregular surfaces, odd shapes and scale all affect holding power adversely and must be considered in establishing a safety factor.

Dimensions and specifications are subject to change without notice.

